

3 OPTIONS IN 1 ROOFTOP SUPPORT:

1 STRUT

Attach clamps & fittings for conduit & other applications



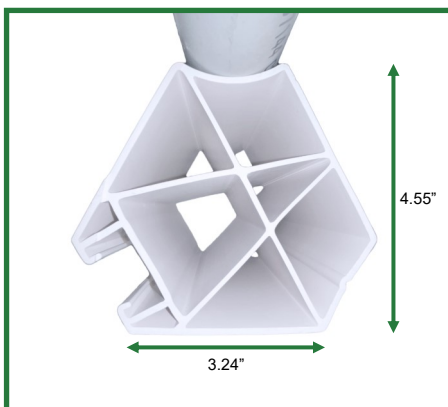
2 PIPE SEAT

Place up to 3" pipe directly on the pipe saddle



3 DRILL SIDE

Use the drill guide to attach your own accessories



PRODUCT DESCRIPTION:

The M-Hex rooftop pipe support is designed to support a variety of rooftop piping and conduit. The unique design provides 3 options for use: the strut side can be used to attach clamps & fittings for conduit & other applications, the pipe seat side can be used to place up to a 3" pipe directly on the pipe saddle, and the drill side allows attachment of other accessories.

MATERIAL: PVC

SIZE: 4.5" H, 5.2" W | Available in 36", 12", or 6" length

SUGGESTED ROOFTOP LOADING:

6": 58 lbs at 3 PSI applied to surface. Max product load = 300 lbs.

12": 117 lbs at 3 PSI applied to surface. Max product load = 600 lbs.

36": 351 lbs at 3 PSI applied to surface. Max product load = 800 lbs.

SPACING: Supports should not exceed 10' on center.

WARRANTY: 2 year limited warranty.



Represented By:
M&M Sales, Inc.
505-884-1733
www.mandmsales.com